

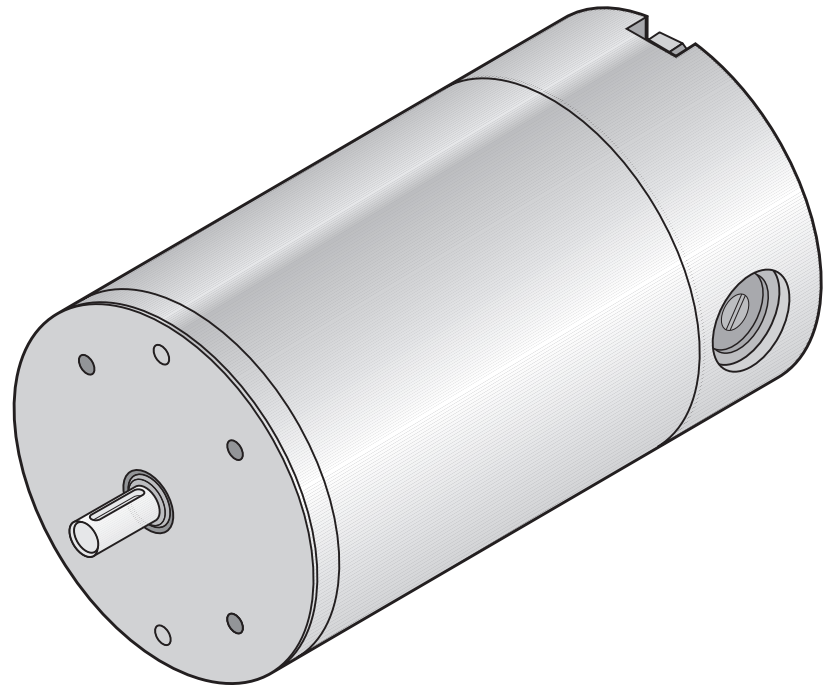
## DC PM Motor 48V 1500RPM 190W / 330W

65189-543

### DESIGN FEATURES

- Replaceable brushes
- Reversible rotation
- Zinc plated corrosion protected housing
- Aluminium/Zinc endshields with ball bearings
- Class F insulation (Max ambient 40°C)
- UL recognised component (E303615)
- Enclosure: IP 54\*
- Cooling: IC 410 (TENV)
- Designed to BS 5000-11  
BS EN 60034  
IEC 60072

\* IP rating only applies once B14 is mounted to component



### PERFORMANCE DATA

#### Continuous Rating (S1 Duty Cycle)

Torque (Nm)	1.20
Speed (RPM)	1500
Power (W)	190
Current (A)	5.2

#### Short-time Rating (S2 Duty Cycle 10min)

Torque (Nm)	2.90
Speed (RPM)	1100
Power (W)	330
Current (A)	12.1

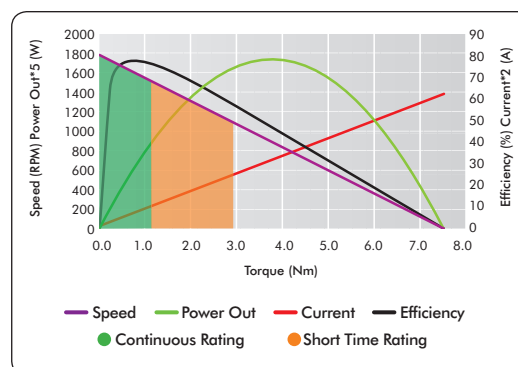
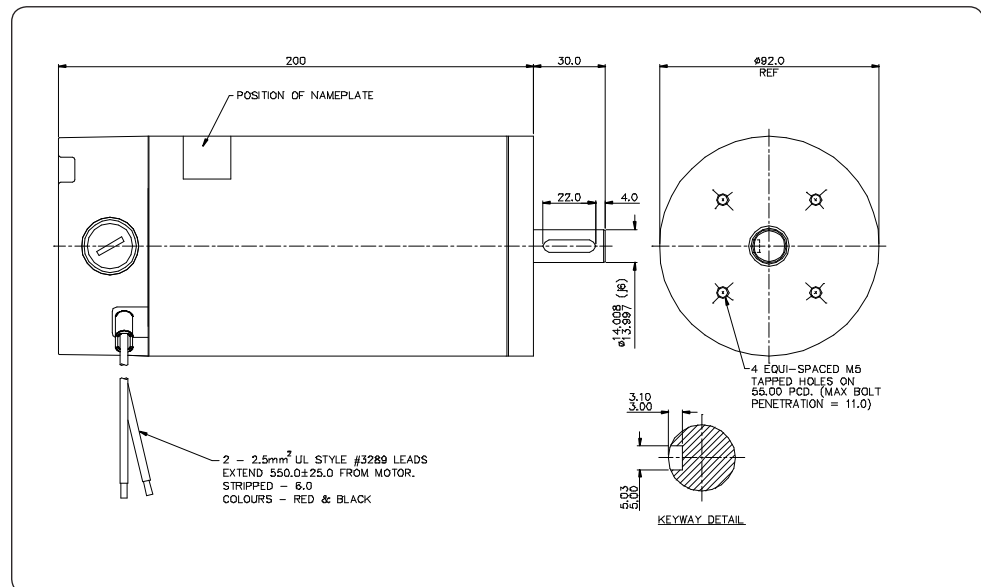
#### No Load

Speed (RPM)	1800 (+/- 5%)
-------------	---------------

#### Stall

Torque (Nm)	7.51
Current (A)	30.8

**Max Efficiency 77%**  
**Weight 5.3Kg**



### AVAILABLE OPTIONS

- Mounting and connection  
(Range of standard IEC flanges and bases available)
- Terminal box
- Electromechanical brake (1.5Nm)
- Rear output shaft
- Painted finish
- RFI suppression

[www.lemac.com](http://www.lemac.com)

**LOTHIAN ELECTRIC MACHINES LIMITED**  
HOSPITAL ROAD · HADDINGTON · EAST LOTHIAN · EH41 3PD  
TEL: 01620 828700 FAX: 01620 828730  
info@lemac.com