

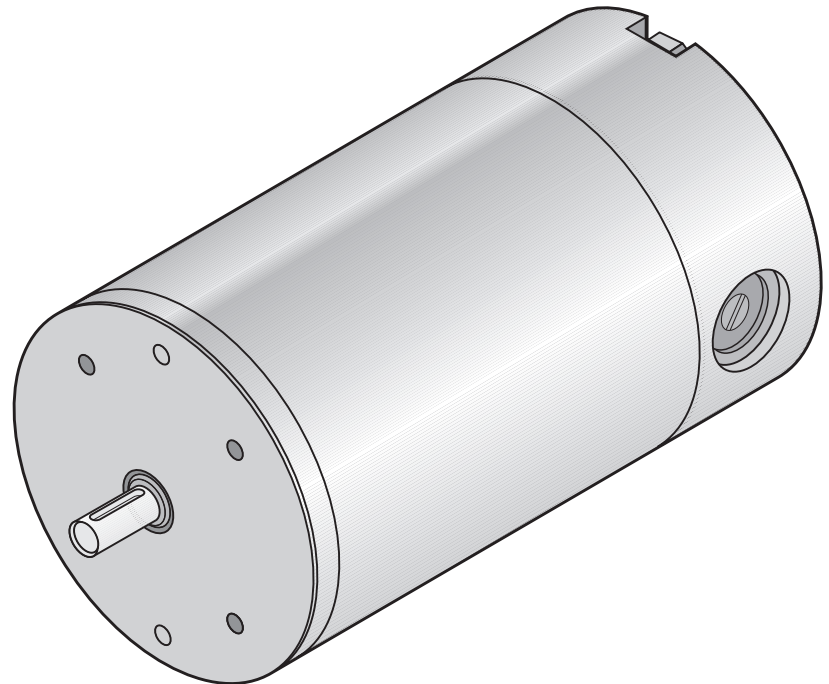
## DC PM Motor 24V 3000RPM 130W / 290W

65189-524

### DESIGN FEATURES

- Replaceable brushes
- Reversible rotation
- Zinc plated corrosion protected housing
- Aluminium/Zinc endshields with ball bearings
- Class F insulation (Max ambient 40°C)
- UL recognised component (E303615)
- Enclosure: IP 54\*
- Cooling: IC 410 (TENV)
- Designed to BS 5000-11  
BS EN 60034  
IEC 60072

\* IP rating only applies once B14 is mounted to component



### PERFORMANCE DATA

#### Continuous Rating (S1 Duty Cycle)

Torque (Nm)	0.40
Speed (RPM)	3100
Power (W)	130
Current (A)	8.1

#### Short-time Rating (S2 Duty Cycle 10min)

Torque (Nm)	1.00
Speed (RPM)	2775
Power (W)	290
Current (A)	18.2

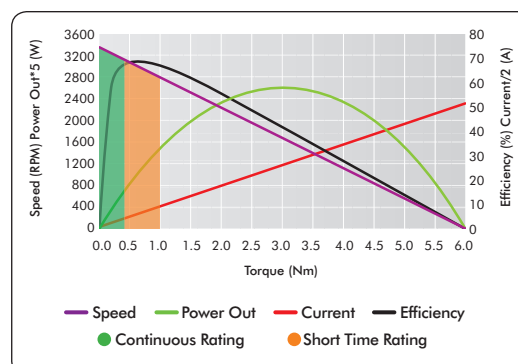
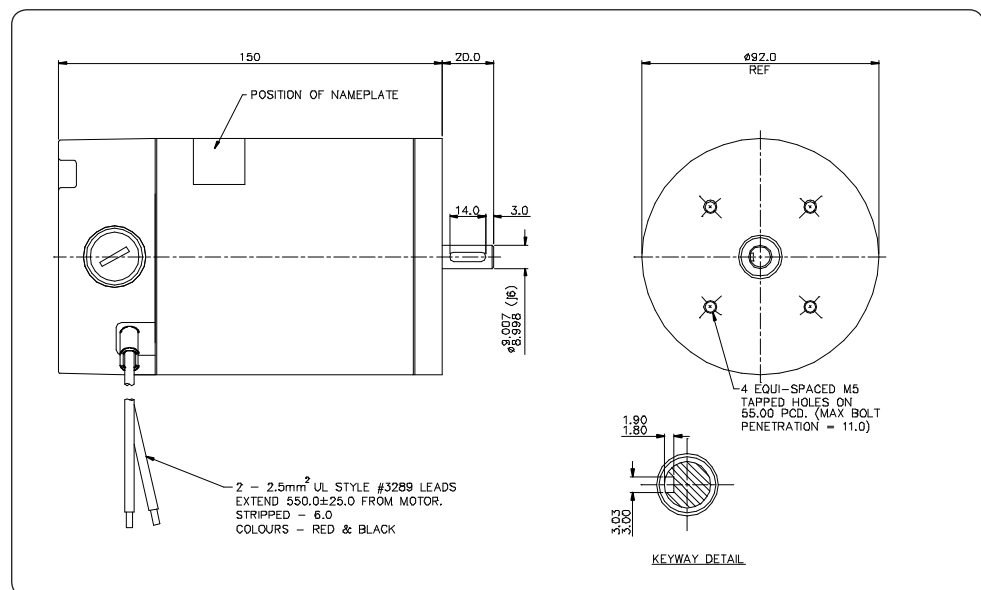
#### No Load

Speed (RPM)	3300 (+/- 5%)
-------------	---------------

#### Stall

Torque (Nm)	6.01
Current (A)	102.6

<b>Max Efficiency</b>	<b>69%</b>
<b>Weight</b>	<b>3.5Kg</b>



### AVAILABLE OPTIONS

- Mounting and connection (Range of standard IEC flanges and bases available)
- Terminal box
- Electromechanical brake (1.5Nm)
- Rear output shaft
- Painted finish
- RFI suppression

www.lemac.com

LOTHIAN ELECTRIC MACHINES LIMITED  
HOSPITAL ROAD · HADDINGTON · EAST LoTHIAN · EH41 3PD  
TEL: 01620 828700 FAX: 01620 828730  
info@lemac.com